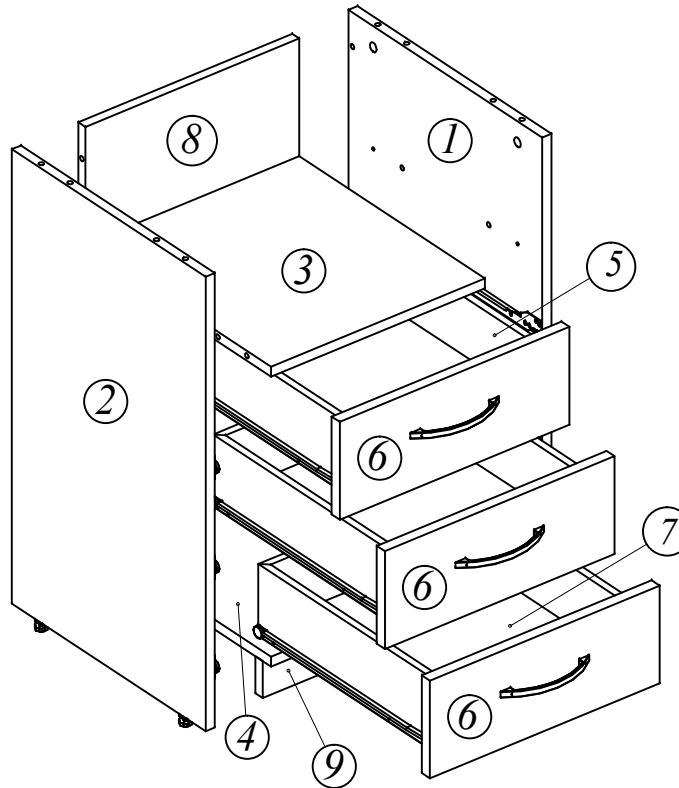
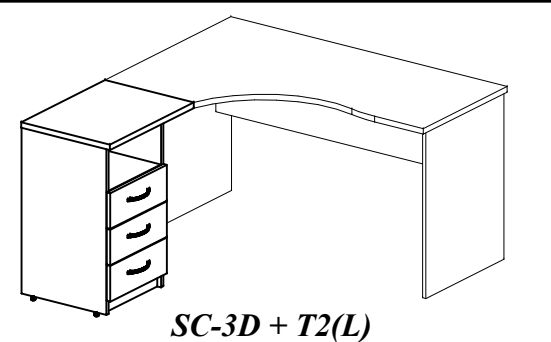
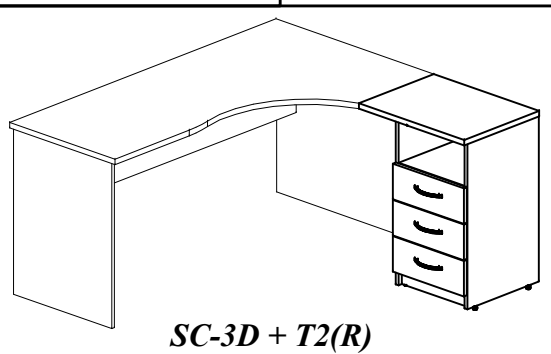
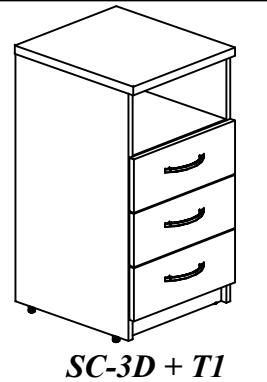
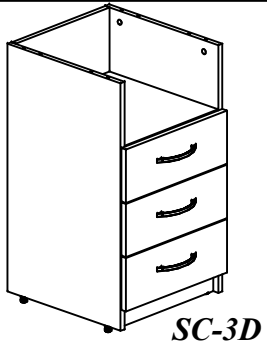


SC-3D. T1, T2(L), T2(R)

1



SC-3D 403x446x746
T1 407x450x16
T2(L/R) 600x450x16



T2 (L/R):

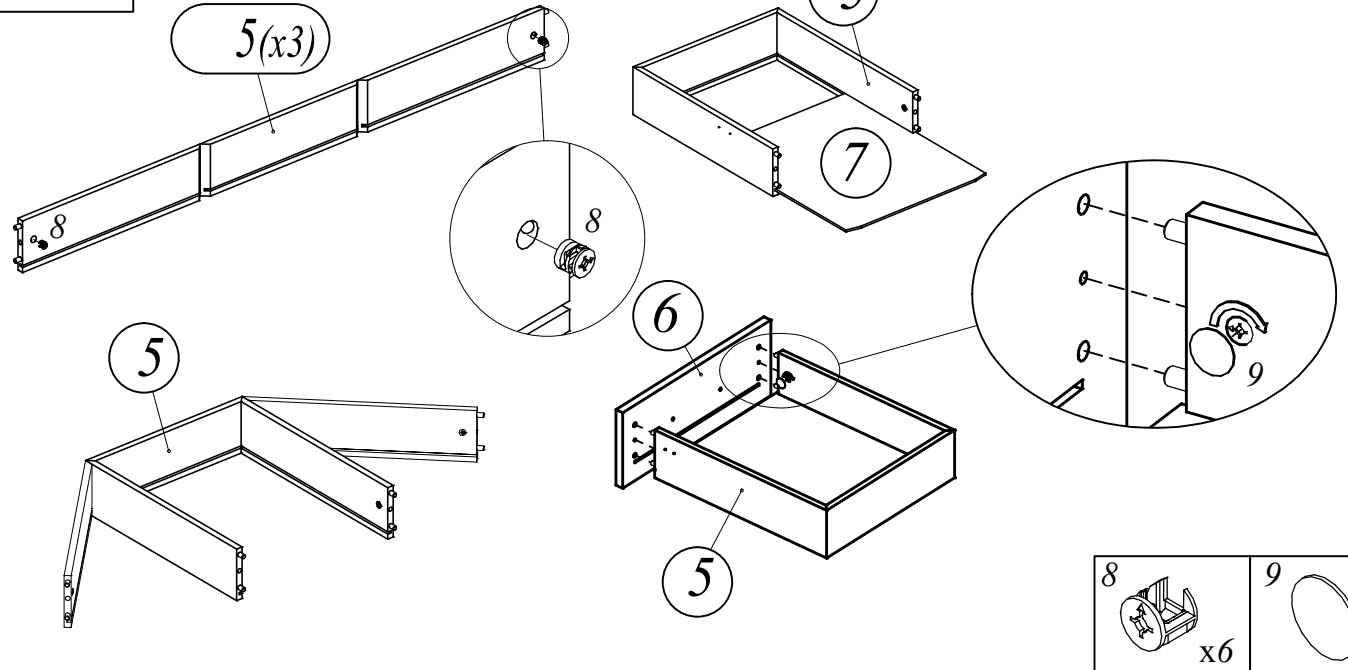
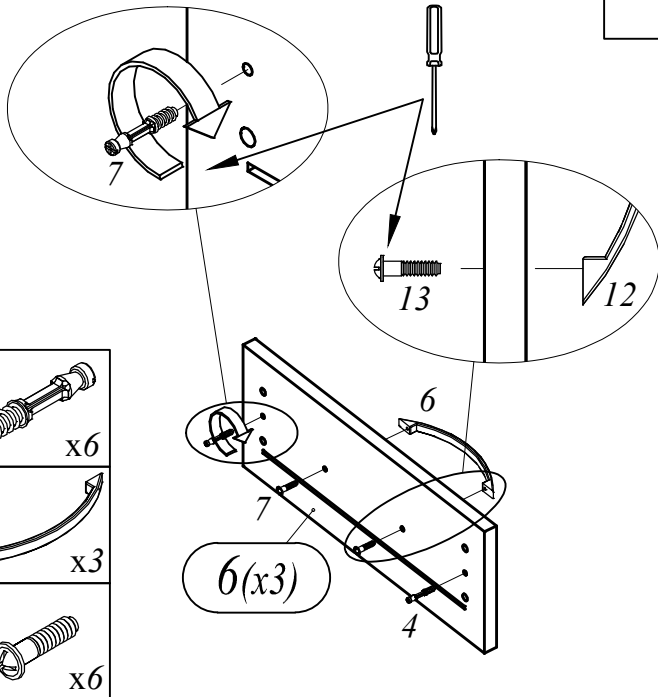
1	x2	2	x16

SC-3D:

3	x20	4	x12
5	x12	6	x4
7	x6	8	x6
9	x6	10	x1
11	x1	12	x3
13	x6	14	x3
15	x24	16	x6
17	x1	18	x4
19	x4	20	x12

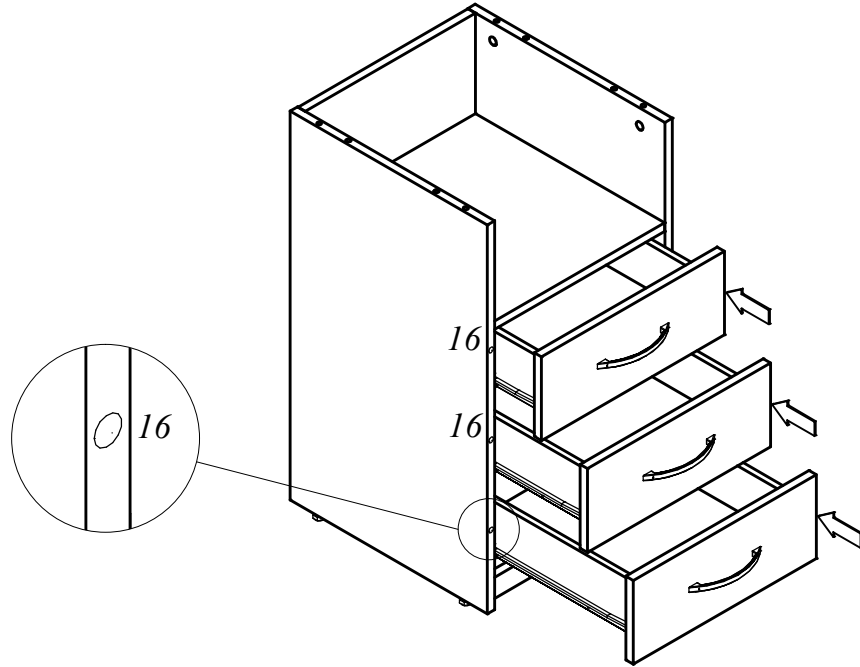
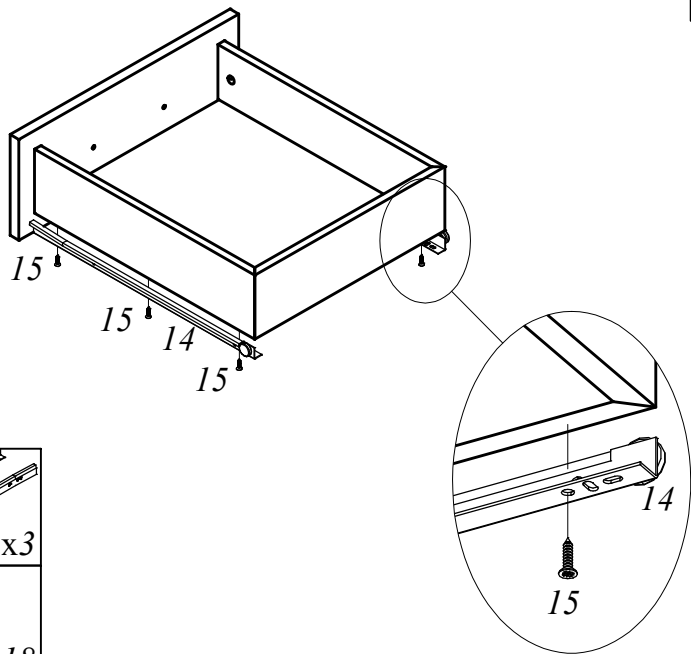
V

VI



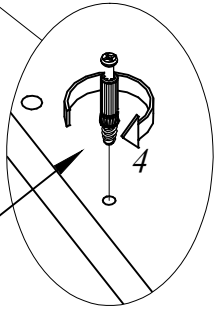
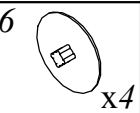
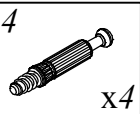
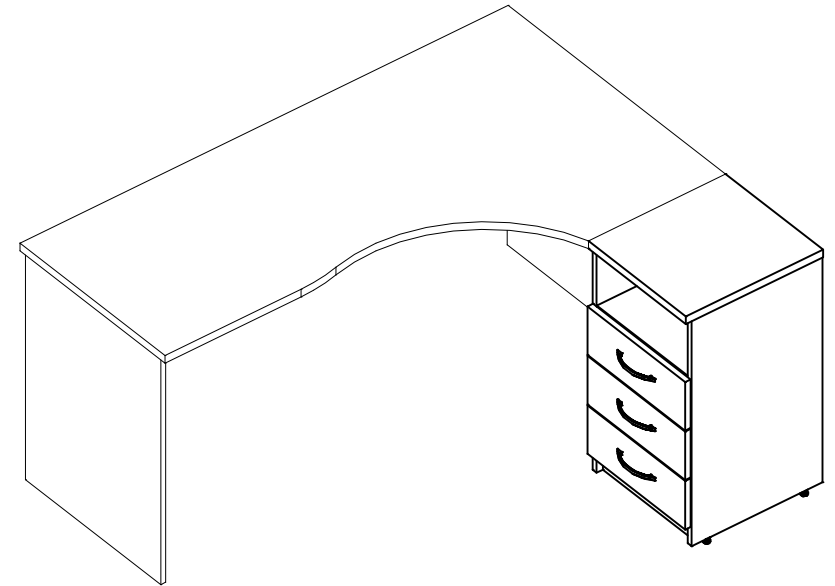
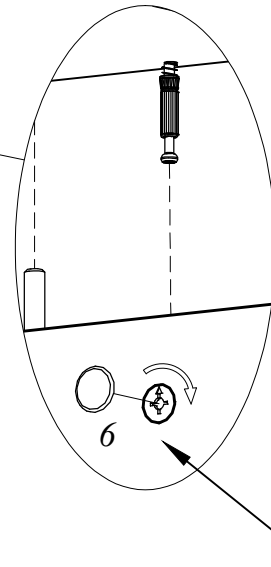
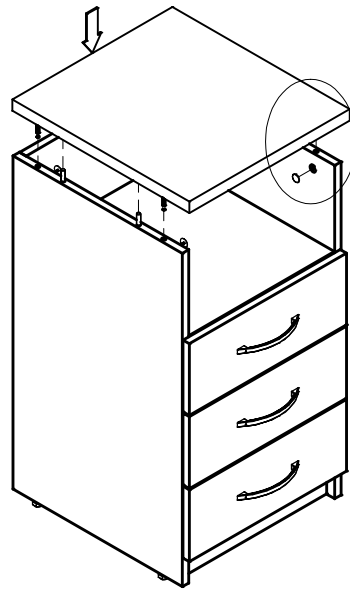
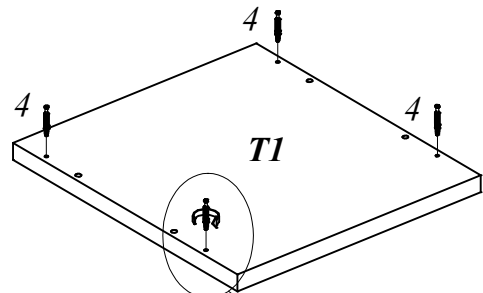
VII

VIII



IX.T1

T1



IX.T2

T2(L/R)

